



- 额定电流最高达 50A
Rated currents up to 50A
- 优质的低频、高频滤波效果
Excellent attenuation for low or high frequency
- 专为抑制直流电源线的噪声设计
Special designed for noise on DC power line suppression
- 不同的出线连接方式
Different output connections

特点 Features

- 高性能双极单相滤波器 嵌入式/螺母
High performance compact single phase filter with faston/nut
- 良好的共模和差模干扰抑制特性。
Good performance of common mode and differential mode interference suppression

应用 Application

- 用于大多数数字设备（尤其是开关电源）可用来抑制连续或间隙性脉冲干扰
For digital systems(particularly for switching power supplies) to suppress the continuity or intermittent pulse interference
- 带变频器的白色家电、控制系统上的变频器用
White goods with frequency inverters, inverter based control system

技术参数 Technical Data

额定电压 Rated Voltage	0-250VDC
工作频率 Operation Frequency	DC
额定电流 Rated Current	1-50A
耐压测试 Hi-pot Test	1450VDC 2sec (线对线 Line to Line) 2250VDC 2sec (线对地 Line to Ground)
气候类别 Climate Category	25/85/21 (-25°C to +85°C)
设计参考标准 Design corresponding to	UL 1283, CSA 22.2 No. 8 1986, IEC/EN 60939

电路原理图 Electrical Schematic

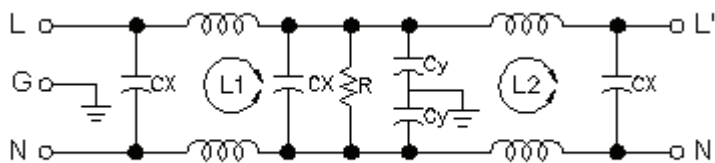





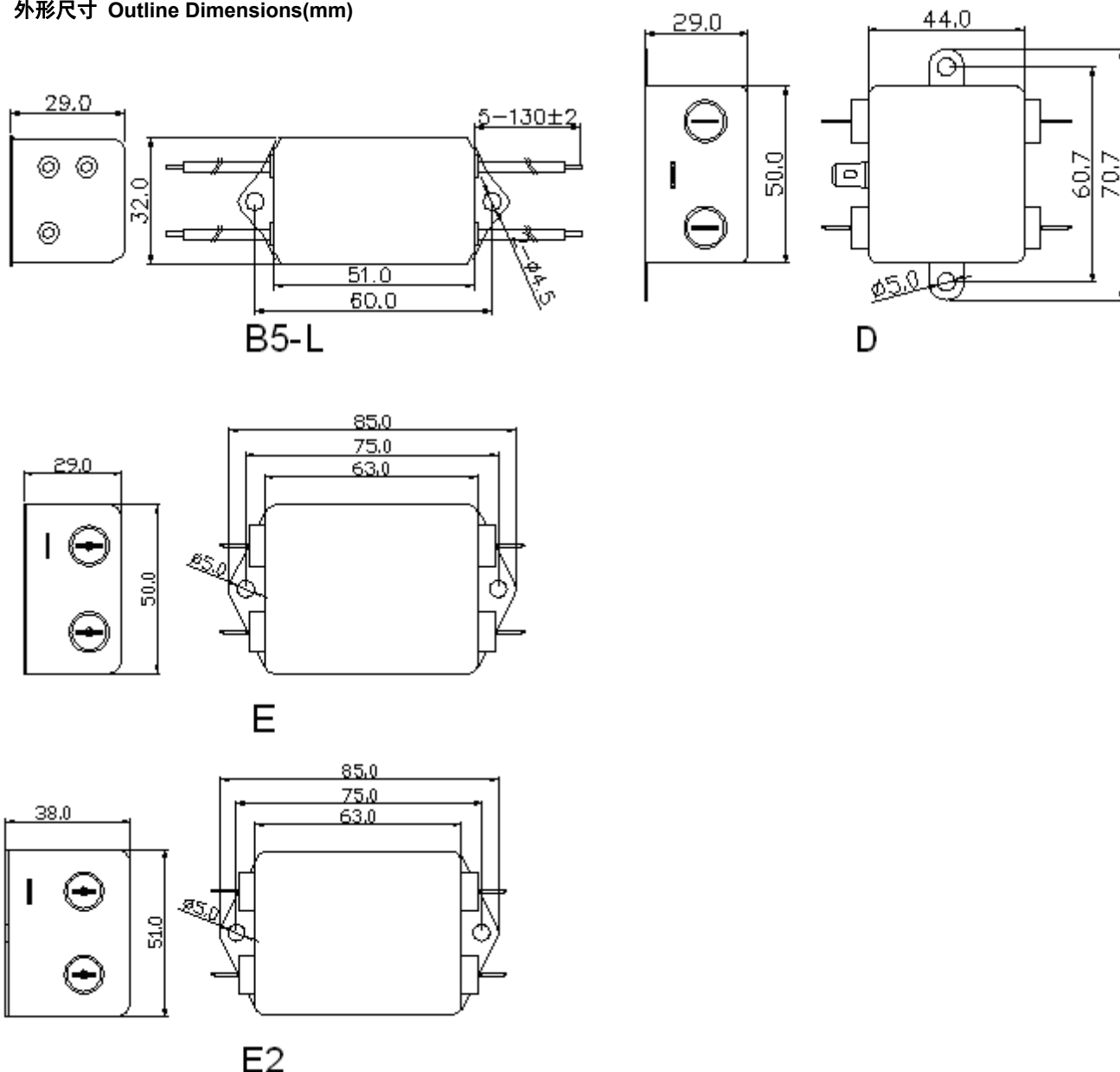
Fig 1

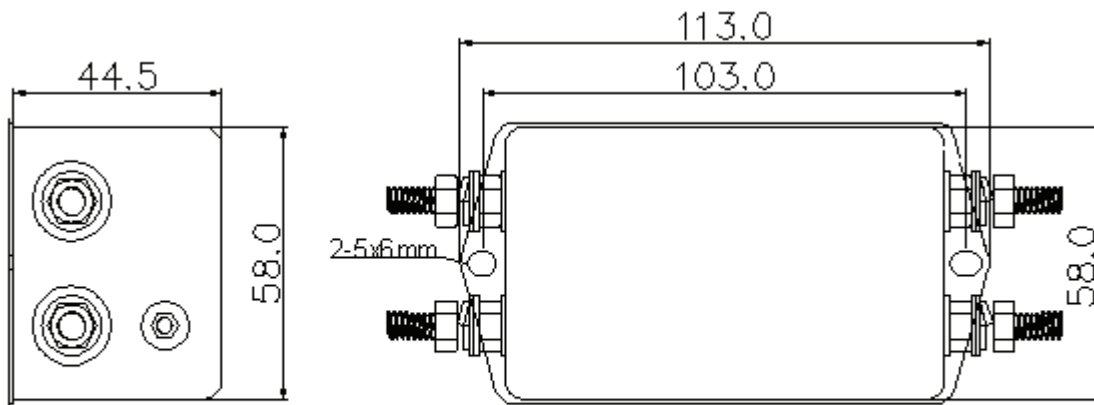
选型表 Type Selection Table

型号 Model	额定电流(A) Rated Current	泄漏电流(≤mA) Leakage Current	电路图 Circuit Diagram	外形尺寸 Dim. Fig.	出线端子方式 Output Connection		
							
DF202-1A-01Z	1	0.5	Fig 1	D/B5-L	Standard	L	
DF202-3A-01Z	3	0.5	Fig 1	D/B5-L	Standard	L	
DF202-6A-01Z	6	0.5	Fig 1	E/B5-L	Standard	L	S
DF202-10A-01Z	10	0.5	Fig 1	E2/B5-L	Standard	L	S
DF202-15A-01Z	15	0.5	Fig 1	E2	Standard	-	S
DF202-20A-01Z	20	0.5	Fig 1	E2	Standard	-	S
DF202-30A-01Z	30	0.5	Fig 1	J	-	-	S
DF202-40A-01Z	40	0.5	Fig 1	J	-	-	S
DF202-50A-01Z	50	0.5	Fig 1	J	-	-	S

Remark: Optional connection type. Standard is Faston connection, L type refer to Wire connection, S type refer to Screw connection
 出线方式可选，标准为快速插片端子，加 L 为接线出线方式，加 S 为螺丝接线方式 “-” 表示无此出线方式

外形尺寸 Outline Dimensions(mm)





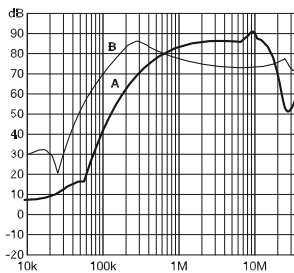
J

插入损耗 Insertion Loss in dB

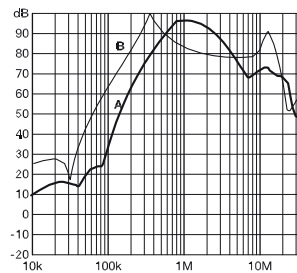
(50Ω/50Ω 环境下插入损耗 Insertion Loss in dB measured in a 50Ω/50Ω system, as IEC/CISPR No. 17)

A=Differential mode (差模) B=Common Mode(共模)

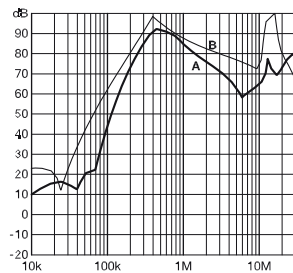
1 to 3 A types



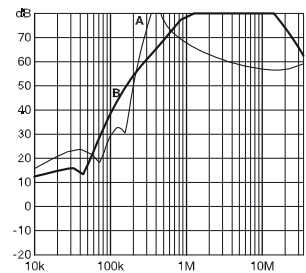
6 to 10A types



15 to 20A type



30A to 50A type



备注：以上规格为公司标准产品，可根据客户产品定制设计产品性能和尺寸外观。

Remark: Customized products are available according to special performance or dimensions requirements

更多产品请登陆官方网站：<http://www.dephir.com>

For more products please go to official website: <http://www.dephir.com>